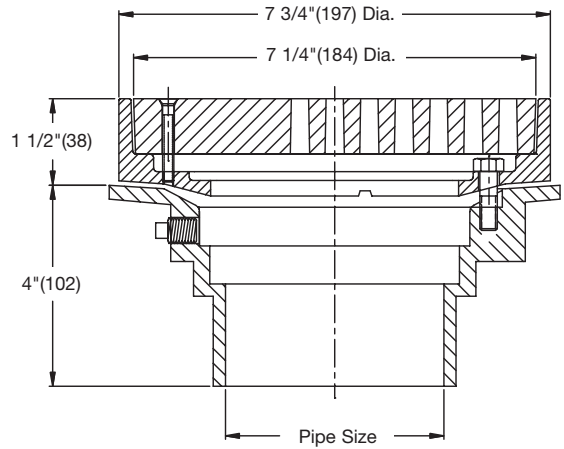


## Area Drains

**FD-660 PVC Area Drain with 7" Fixed Top**

Model Number	Weight (lbs.)	Str. Size	Pipe Size	Strainer	List Price
FD-662, 3, 4	7	7"	2,3,4"	PVC	\$510.00

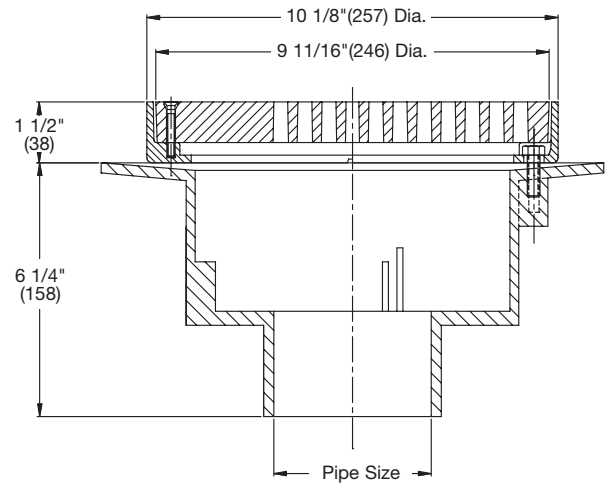


**Options for FD- 660 Series:**

Suffix	Description	List Price	Suffix	Description	List Price
-5	Sediment Bucket	\$138.50	-F4-50	4" Round CI Funnel	\$179.00
-6	Vandal Proof	No Add	-F4-1	4" Round NB Funnel	428.00
-7	Trap Primer Tapping	No Add	-F6-1	6" Round NB Funnel	625.50
-34	Closure Plug	120.50	-G-50	4x9" Oval CI Funnel	423.00
-61	ABS Body w/Socket Outlet (2, 3, 4" only)	No Add	-G-1	4x9" Oval NB Funnel	872.00
-150	1/2 Grate	No Add			

**FD-670 PVC Area Drain with 10" Fixed Top**

Model Number	Weight (lbs.)	Str. Size	Pipe Size	Strainer	List Price
FD-672, 3, 4	8	10"	2,3,4"	PVC	\$850.50



*Note:* Funnels are ordered separately.  
 See page 63 for details.

**Options for FD- 670 Series:**

Suffix	Description	List Price	Suffix	Description	List Price
-5	Sediment Bucket	\$205.50	-150	1/2 Grate	No Add
-6	Vandal Proof	No Add	-F4-50	4" Round CI Funnel	\$179.00
-7	Trap Primer Tapping	No Add	-F4-1	4" Round NB Funnel	428.00
-26	Sand Bucket	205.50	-F6-1	6" Round NB Funnel	625.50
-34	Closure Plug	120.50	-G-50	4x9" Oval CI Funnel	423.00
-61	ABS Body w/Socket Outlet (2, 3, 4" only)	No Add	G-1	4x9" Oval NB Funnel	872.00

Consult factory for all applications outside of listed parameters.  
 Prices do not include applicable taxes.

